

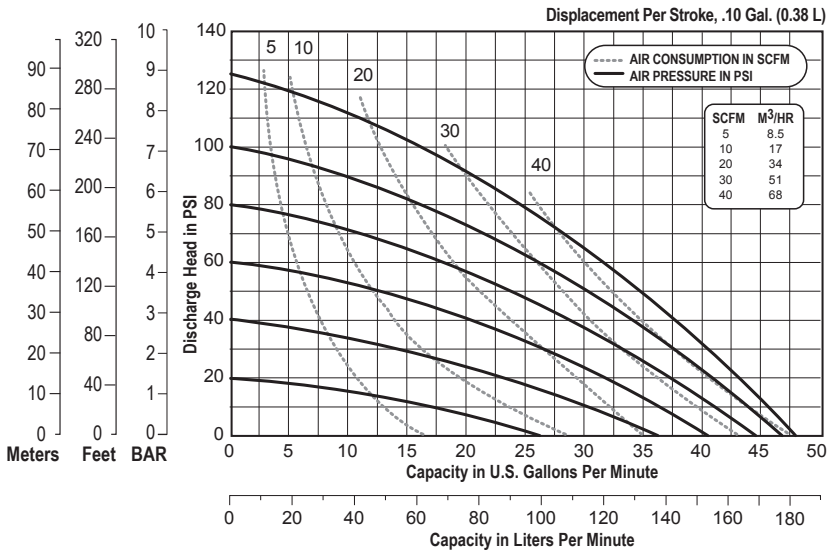
# E1 DATA SHEET

## SPECIFICATIONS & PERFORMANCE

# 1" Bolted Metal – ATEX

with Metal Center Section

### PERFORMANCE



NOTE: Performance based on the following: elastomeric fitted pump, flooded suction, water at ambient conditions. The use of other materials and varying hydraulic conditions may result in deviations in excess of 5%.

### SPECIFICATIONS

#### Flow Rate

Adjustable to . 0-49 gpm (181.7 lpm)

#### Port Size

Suction . . . . . 1" NPT

Discharge . . . . . 1" NPT

Air Inlet . . . . . 3/8" NPT

Air Exhaust . . . . . 1/2" NPT

#### Suction Lift

Dry . . . . . 15' (4.6 m)

Wet . . . . . 31' (9.4 m)

#### Max Solid Size (Diameter)

. . . . . 1/8" (3.2 mm)

Max Noise Level . . . . . 91 dB(A)

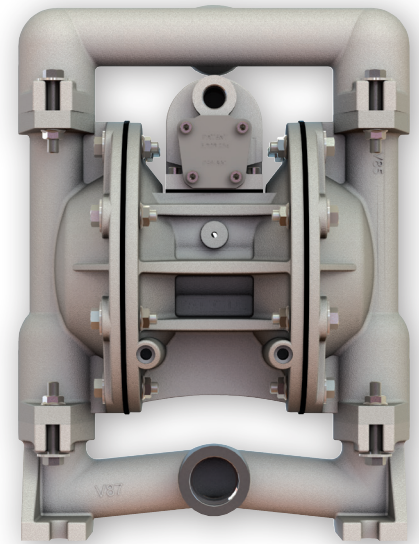
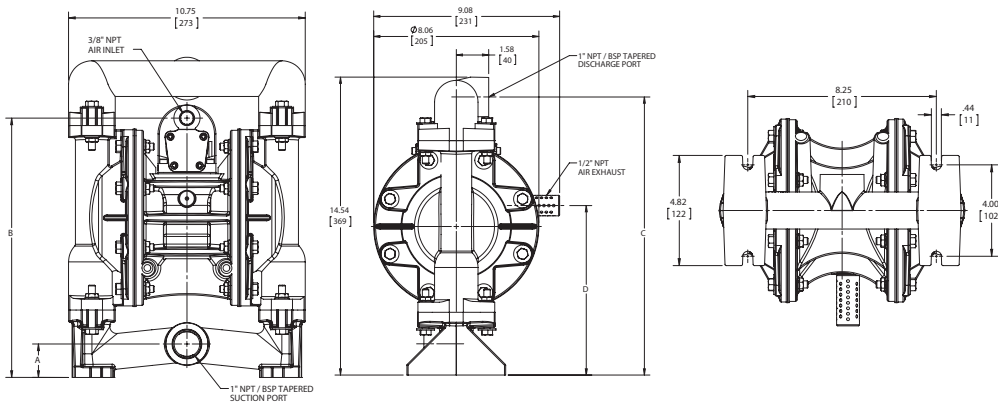
#### Shipping Weights

Aluminum . . . . . 27 lbs (12.2 kg)

Stainless Steel . . . . . 40 lbs (18.1kg)

Alloy-C . . . . . 40 lbs (18.1kg)

### DIMENSIONS



Warren Rupp, Inc. | A Unit of IDEX Corporation  
800 North Main Street | Mansfield, OH 44902 USA  
Phone: 419.526.7296 | Fax: 419.526.7289

[VERSAMATIC.COM](http://VERSAMATIC.COM)

e1mdlCdsATEX-rev0519

©Copyright 2019 Warren Rupp, Inc. All Rights Reserved.